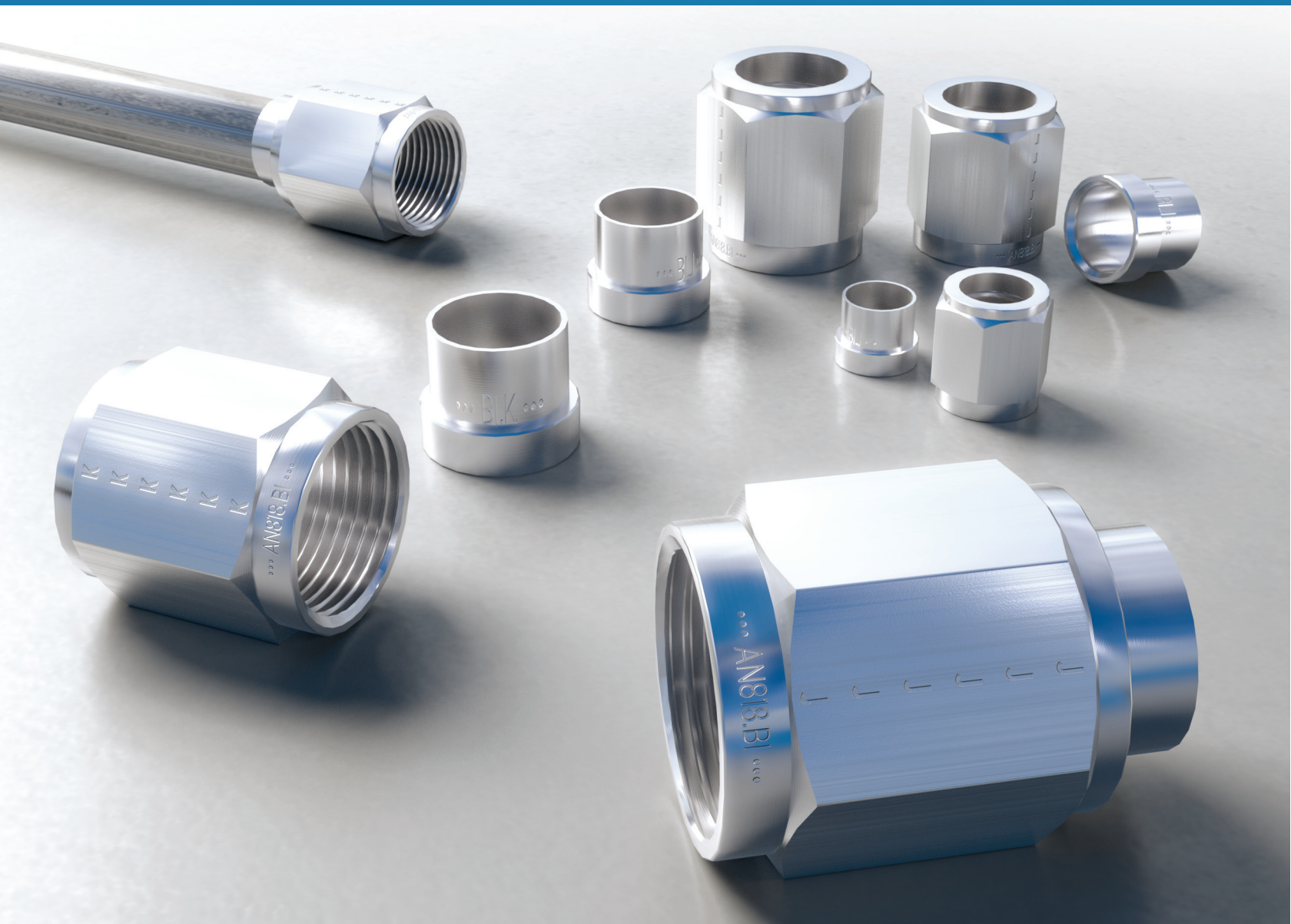




AS/AN NUTS AND SLEEVES



Brennan is proud to offer nuts and sleeves to the aerospace industry, in stock for immediate availability. We make our aerospace certified fittings and adapters in the USA and they are available in both 304 and 316 stainless - call for other available materials and finishes.

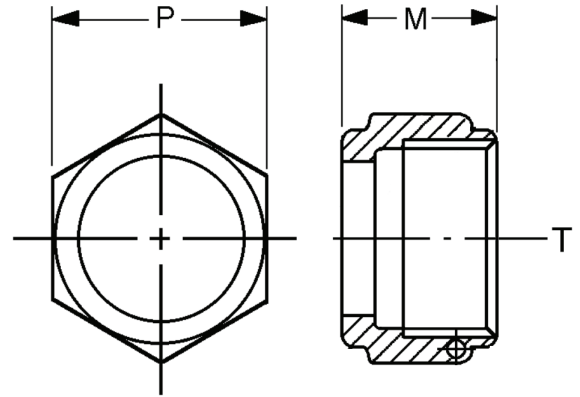
Brennan Industries is a ISO9001, AS9100 and NADCAP certified manufacturer of fittings and adapters with distribution centers in North America, Europe and Asia.

Visit us at brennaninc.com or give us a call at 800.331.1523

AN818

NUT, TUBE COUPLING, SHORT

304 Stainless. For 316 stainless replace **J** in part number with **K**



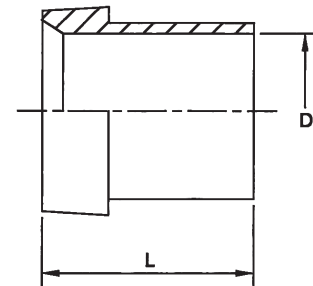
PART NO.	DIMENSIONS <i>inches</i>		<i>M Length</i>	<i>P Hex</i>
	<i>Tube OD</i>	<i>T Thread</i>		
AN818-4J	.250	.4375 - 20UNJF - 3B	.620	.563
AN818-6J	.375	.5625 - 18UNJF - 3B	.724	.688
AN818-8J	.500	.7500 - 16UNJF - 3B	.849	.875
AN818-10J	.625	.8750 - 14UNJF - 3B	.974	1.000
AN818-12J	.750	1.0625 - 12UNJ - 3B	1.021	1.250
AN818-16J	1.000	1.3125 - 12UNJ - 3B	1.131	1.500
AN818-20J	1.250	1.6250 - 12UNJ - 3B	1.224	2.000

* Other sizes available, contact us for details.

AS5176

FITTING, SLEEVE, FLARED

304 Stainless. For 316 stainless replace **J** in part number with **K**



PART NO.	DIMENSIONS <i>inches</i>		<i>L Length</i>
	<i>Tube OD</i>	<i>D Inner Diam.</i>	
AS5176J4	.250	.255	.406
AS5176J6	.375	.380	.500
AS5176J8	.500	.505	.562
AS5176J10	.625	.631	.656
AS5176J12	.750	.756	.688
AS5176J16	1.000	1.006	.781
AS5176J20	1.250	1.260	.906

* Other sizes available, contact us for details.